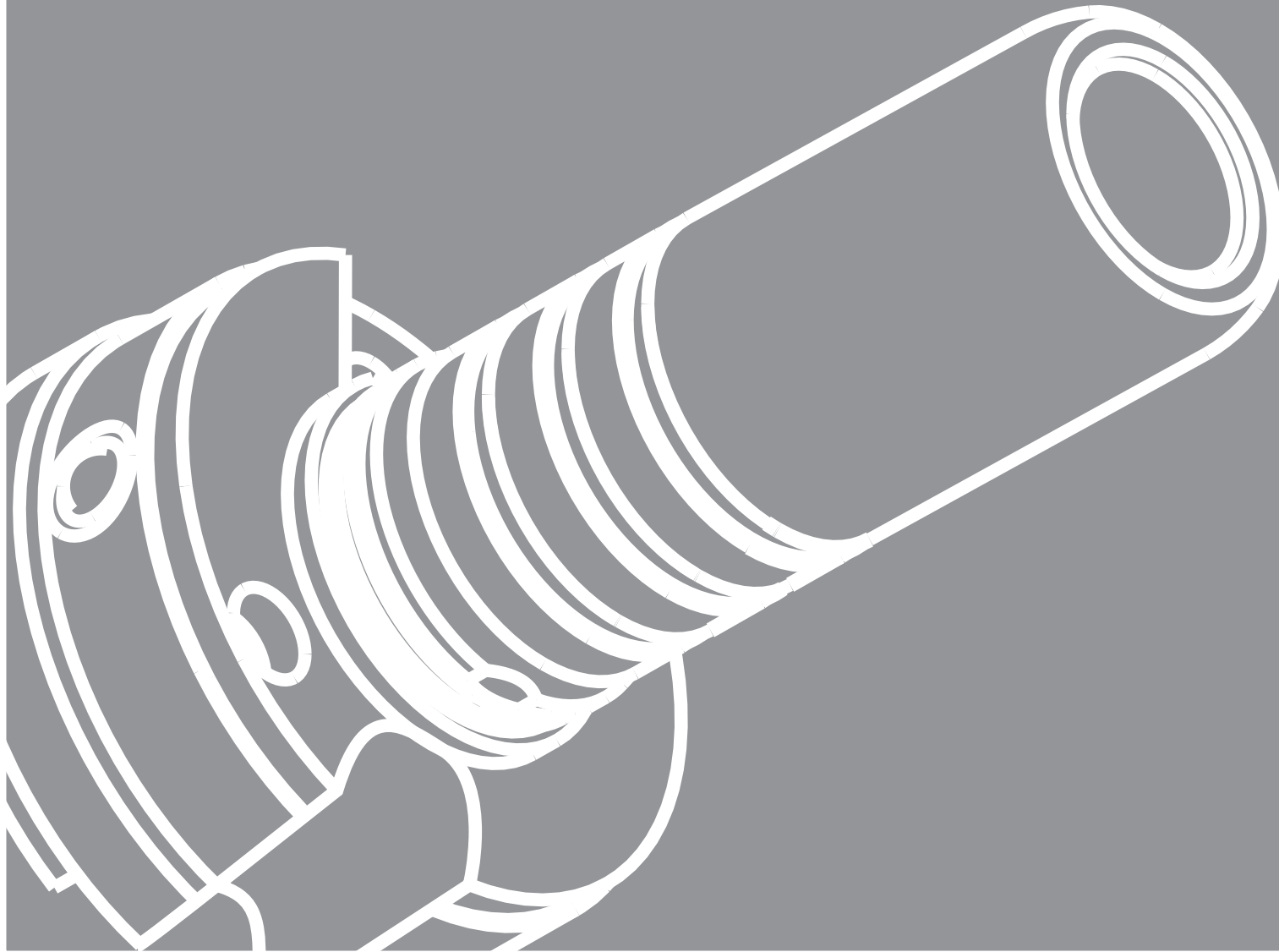


RICAMBI PER MICROMOTORI ELETTRICI

ELECTRIC MICROMOTORS SPARE PARTS



Bien Air®
Kavo®
Tecnomed Italia®

RICAMBI PER MICROMOTORI ELETTRICI

ELECTRIC MICROMOTORS SPARE PARTS

Tecnomed Italia propone una vasta gamma di ricambi compatibili per micromotori elettrici, costruiti con materiali di qualità. Tutti i ricambi sono realizzati da aziende specializzate nella micromeccanica di precisione medica e seguono norme specifiche atte a soddisfare i requisiti di un sistema di gestione per la qualità EN ISO 13485.

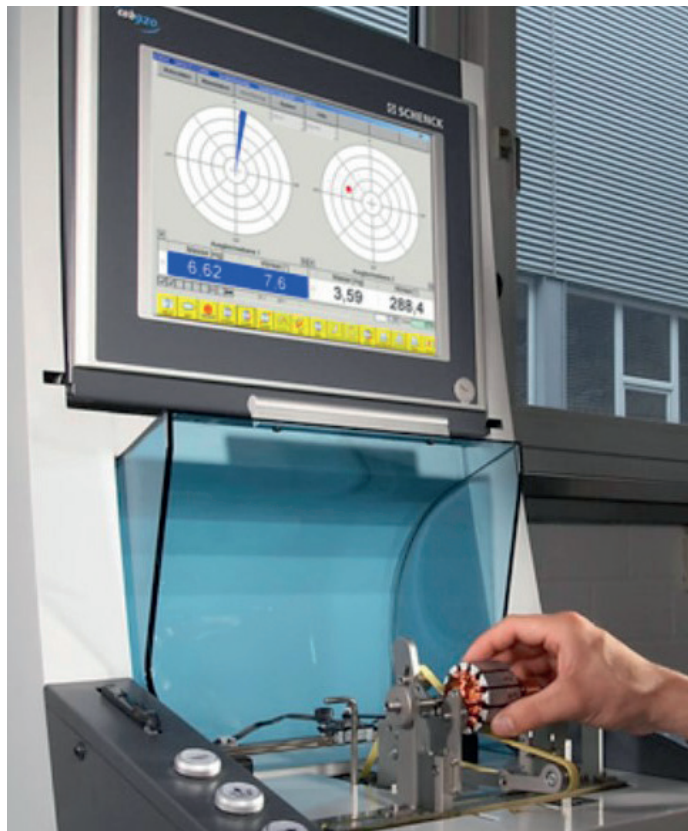
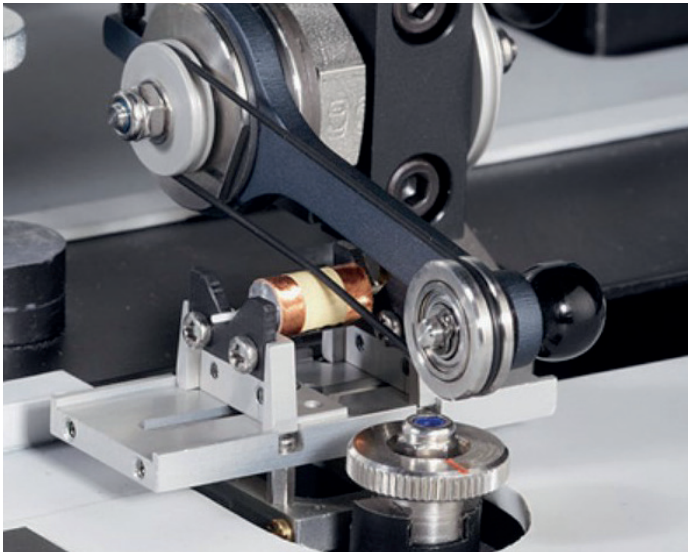
Tecnomed Italia offers a wide range of electric micromotors spare parts compatible with most equipment manufacturers. All spare parts are made by companies specialized in medical precision micromechanics and are manufactured in accordance of the EN ISO 13485.

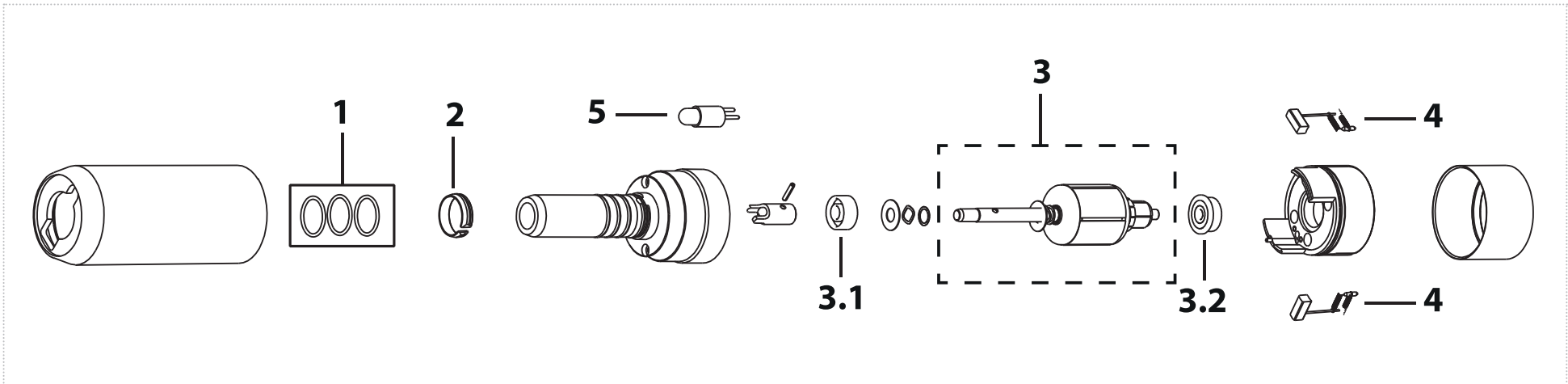
PLUS PRINCIPALI

MAIN PLUS

- ✓ Materiali di alta qualità
- ✓ Tutti i ricambi sono approvati dal team tecnico
- ✓ Perfettamente bilanciati
- ✓ Vasta gamma
- ✓ Garanzia italiana su tutti i nostri ricambi
- ✓ 12 mesi di garanzia
- ✓ EN ISO 13485

- ✓ Top quality materials
- ✓ All our spares are approved by our technical team
- ✓ Perfectly balanced
- ✓ Wide range
- ✓ Italian warranty of all our spares
- ✓ 12-month warranty
- ✓ EN ISO 13485





	1	2	3	3.1	3.2	4	5
	O-ring Intramatic	Fixing ring	Complete rotor	Bering type (puller side)	Bering type (brush side)	Brush	Bulb
Order code	OR880KB	MJ459.2	NOT AVAILABLE	CM399	CM262C	CA95B	BIV8000BAM (Led)
				CM399G			BIV7000BA (Halogen)

3.1 - 3.2								
Order code	Bearing	Size d.i/d.e/h(mm)	Cage	Balls	Contact	Abec	Brand	Type
	CM399	3,175X7,938X3,571	Steel	Steel	Radial	7	Tecnomed Italia	Smooth
	CM399G	3,175X7,938X3,571	Steel	Steel	Radial	7	GRW	Smooth
	CM262C	2,380X7,938X3,571	Steel	Steel	Radial	7	Tecnomed Italia	Smooth Flanged

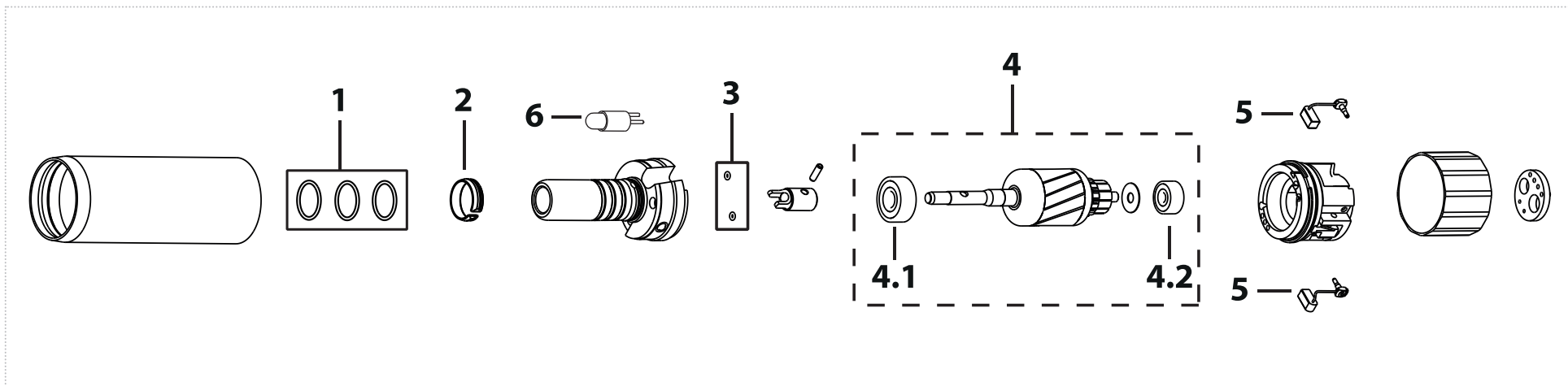
RELATED PRODUCTS



Key for screw

Order code

1 mm slotted screwdriver



	1	2	3	4	4.1	4.2	5	6
	O-ring Intramatic	Fixing ring	O-ring air/water	Complete rotor	Bering type (puller side)	Bering type (brush side)	Brush	Bulb
Order code	OR880KB	MJ459.2	705TM0256	B7529M	K220157	CM263B	CA973B	BIV8000BAM (Led)
					K220157G			BIV7000BA (Halogen)

4.1 - 4.2								
Order code	Bearing	Size d.i/d.e/h(mm)	Cage	Balls	Contact	Abec	Brand	Type
	K220157	4X11X4	Steel	Steel	Radial	7	Tecnomed Italia	Smooth
	K220157G	4X11X4	Steel	Steel	Radial	7	GRW	Smooth
	CM263B	2,380X7,938X3,571	Steel	Steel	Radial	7	Tecnomed Italia	Smooth

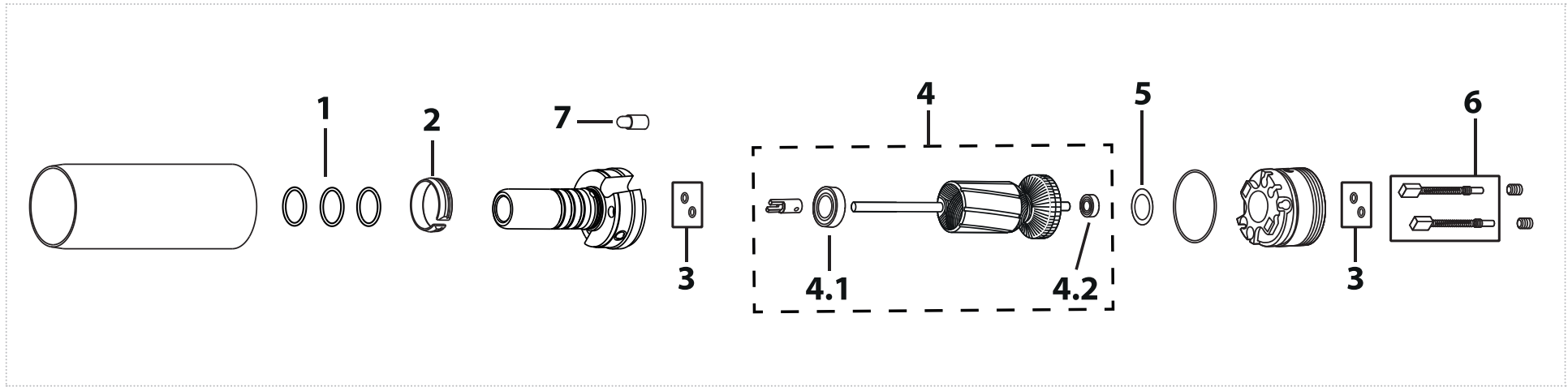
RELATED PRODUCTS



Key for screw

Order code

1 mm slotted screwdriver



	1	2	3	4	4.1	4.2	5	6	7
	O-ring Intramatic	Fixing ring	O-ring air/water	Complete rotor	Bearing type (puller side)	Bearing type (brush side)	Bearing o-ring (brush side)	Brush	Bulb
Order code	OR880KB	MJ459.2	OIV163	K0971	K220157	K220158	OR66K	CA66KC	BIV8000KT (Led)
					K220157G	K220158G			BIV7000 (Halogen)

4.1 - 4.2								
Bearing	Size d.i./d.e/h(mm)	Cage	Balls	Contact	Abec	Brand	Type	
K220157	4X11X4	Steel	Steel	Radial	7	Tecnomed Italia	Smooth	
K220157G	4X11X4	Steel	Steel	Radial	7	GRW	Smooth	
K220158	2X6X2,3	Steel	Steel	Radial	7	Tecnomed Italia	Smooth	
K220158G	2X6X2,3	Steel	Steel	Radial	7	GRW	Smooth	

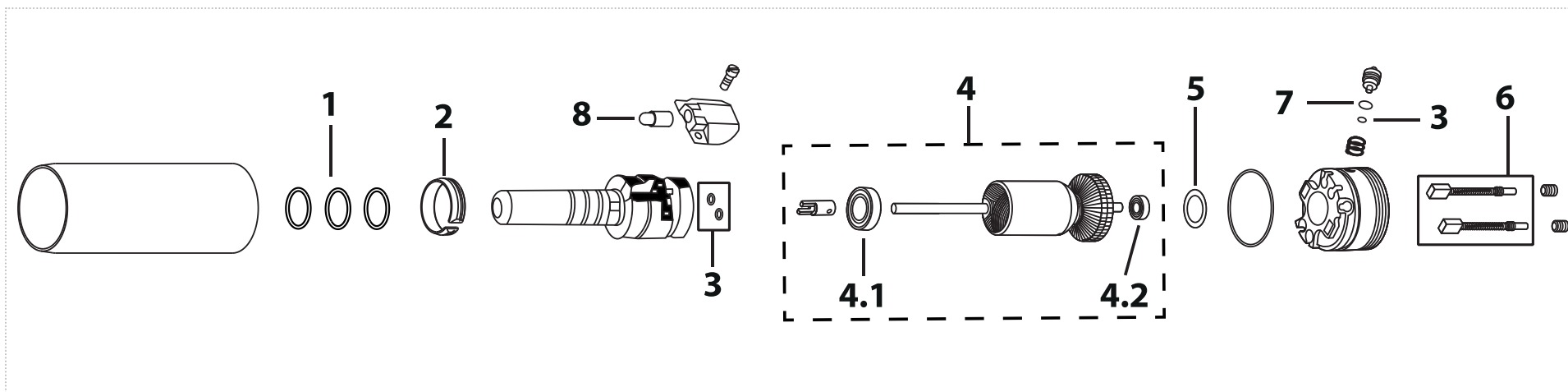
RELATED PRODUCTS



Key for screw

Order code

1 mm slotted screwdriver



1	2	3	4	4.1	4.2	5	6	7	8
O-ring Intramatic	Fixing ring	Oring air/water	Complete rotor	Bearing type (puller side)	Bearing type (brush side)	Bearing o-ring (brush side)	Brush	Large valve o-ring	Bulb
OR880KB	MJ459.2	OIV163	K0871	K220157	K220158	OR66K	CA66KC	OIV415K	BIV8000KT (Led)
				K220157G	K220158G				BIV7000 (Halogen)

4.1 - 4.2								
Order code	Bearing	Size d.i/d.e/h(mm)	Cage	Balls	Contact	Abec	Brand	Type
	K220157	4X11X4	Steel	Steel	Radial	7	Tecnomed Italia	Smooth
	K220157G	4X11X4	Steel	Steel	Radial	7	GRW	Smooth
	K220158	2X6X2,3	Steel	Steel	Radial	7	Tecnomed Italia	Smooth
	K220158G	2X6X2,3	Steel	Steel	Radial	7	GRW	Smooth

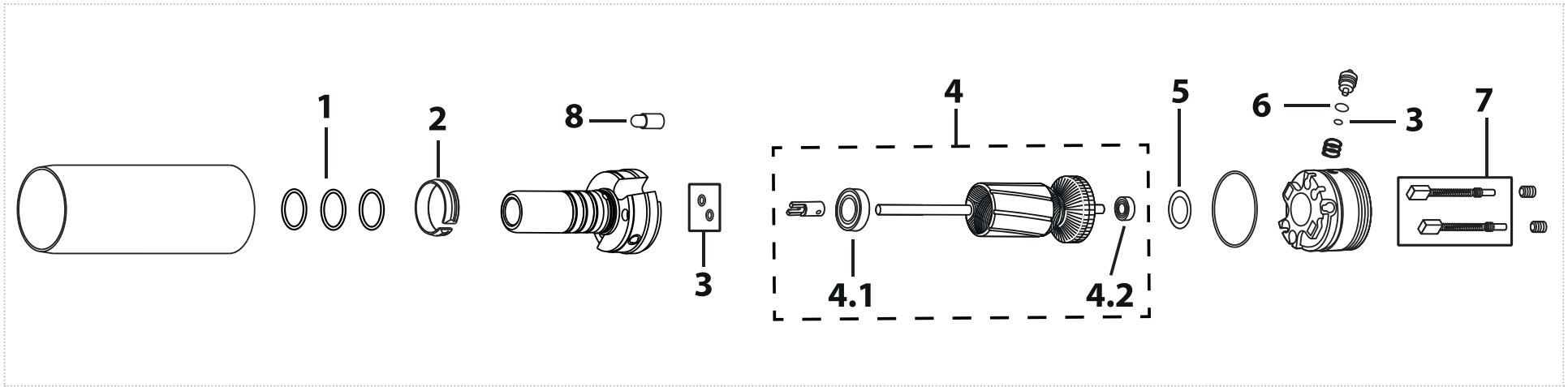
RELATED PRODUCTS



Key for screw

Order code

1 mm slotted screwdriver



	1	2	3	4	4.1	4.2	5	6	7	8
	O-ring Intramatic	Fixing ring	O-ring air/water	Complete rotor	Bearing type (puller side)	Bearing type (brush side)	Bearing o-ring (brush side)	Large valve o-ring	Brush	Bulb
Order code	OR880KB	MJ459.2	OIV163	K0859	CM530	K220158	OR66K	OIV415K	CA66KC	BIV8000KT (Led)
						K220158G				BIV7000 (Halogen)

4.1 - 4.2								
Order code	Bearing	Size d.i/d.e/h(mm)	Cage	Balls	Contact	Abec	Brand	Type
	CM530	5X8X3	Steel	Steel	Radial	7	Tecnomed Italia	Smooth
	K220158	2X6X2,3	Steel	Steel	Radial	7	Tecnomed Italia	Smooth
	K220158G	2X6X2,3	Steel	Steel	Radial	7	GRW	Smooth

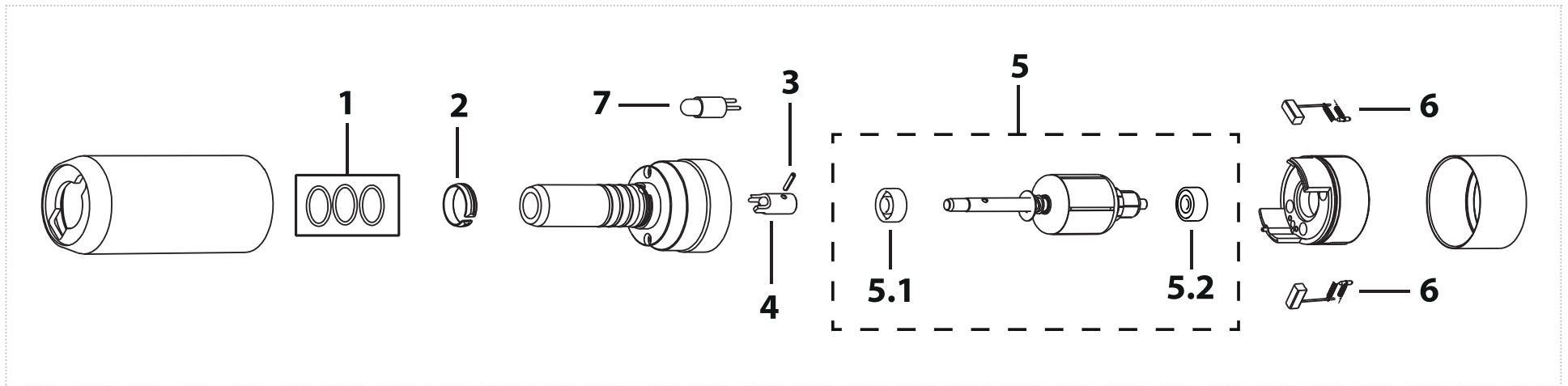
RELATED PRODUCTS



Key for screw

Order code

1 mm slotted screwdriver



	1	2	3	4	5	5.1	5.2	6	7
	O-ring Intramatic	Fixing ring	Bearing o-ring (brush side)	Puller	Complete rotor	Bearing type (puller side)	Bearing type (brush side)	Brush	Bulb
Order code	OR880KB	MJ459.2	K0018	60010032	SST670	CM325	CM325	60010026	BIV7000ST
						CM325G	CM325G		

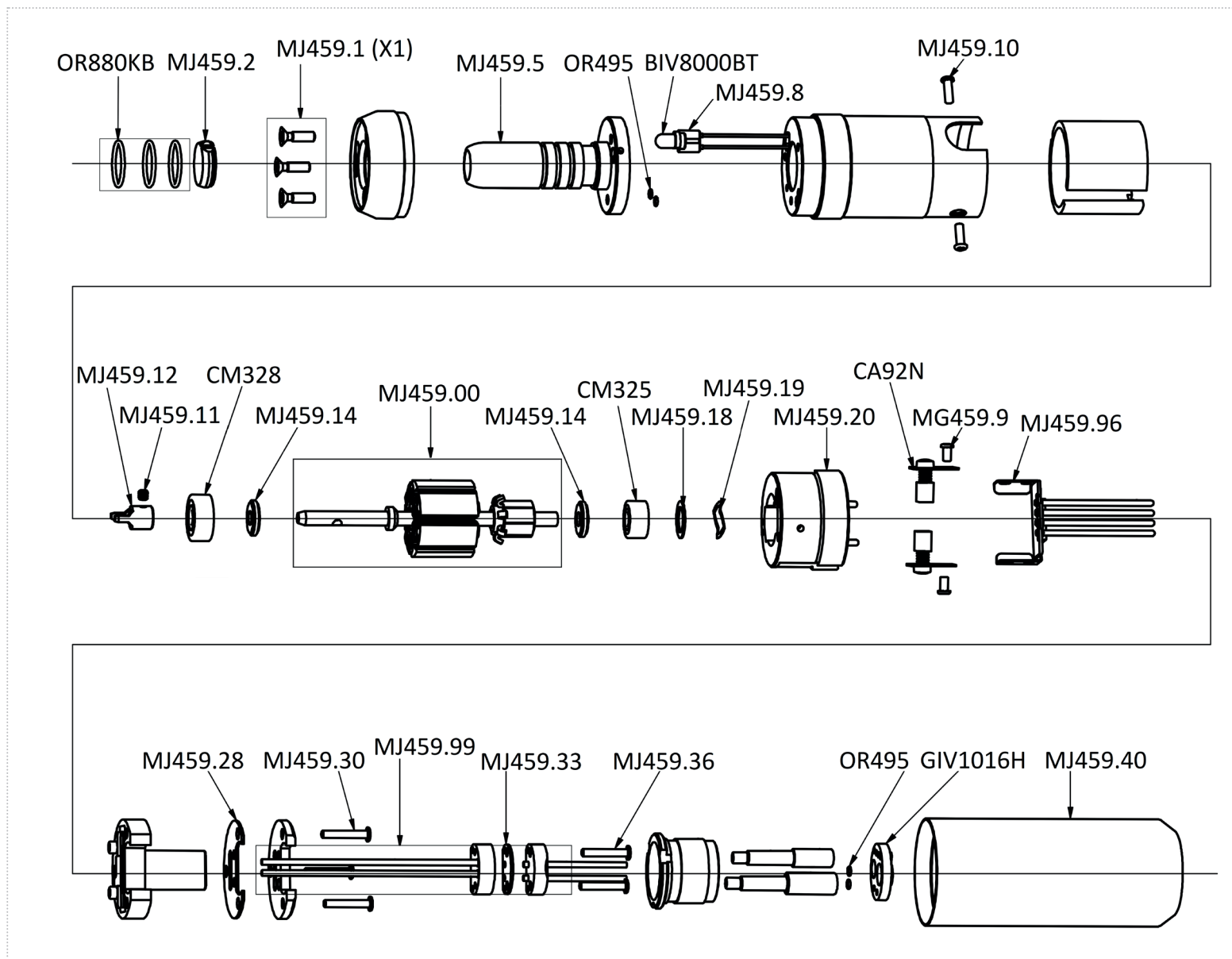
5.1 - 5.2								
Order code	Bearing	Size d.i/d.e/h(mm)	Cage	Balls	Contact	Abec	Brand	Type
	CM325	3X8X4	Steel	Steel	Radial	7	Tecnomed Italia	Smooth
	CM325G	3X8X4	Steel	Steel	Radial	7	GRW	Smooth


RELATED PRODUCTS



Key for screw

Order code	1 mm slotted screwdriver
------------	--------------------------



RELATED PRODUCTS	
	
	Key for screw
Order code	1 mm slotted screwdriver